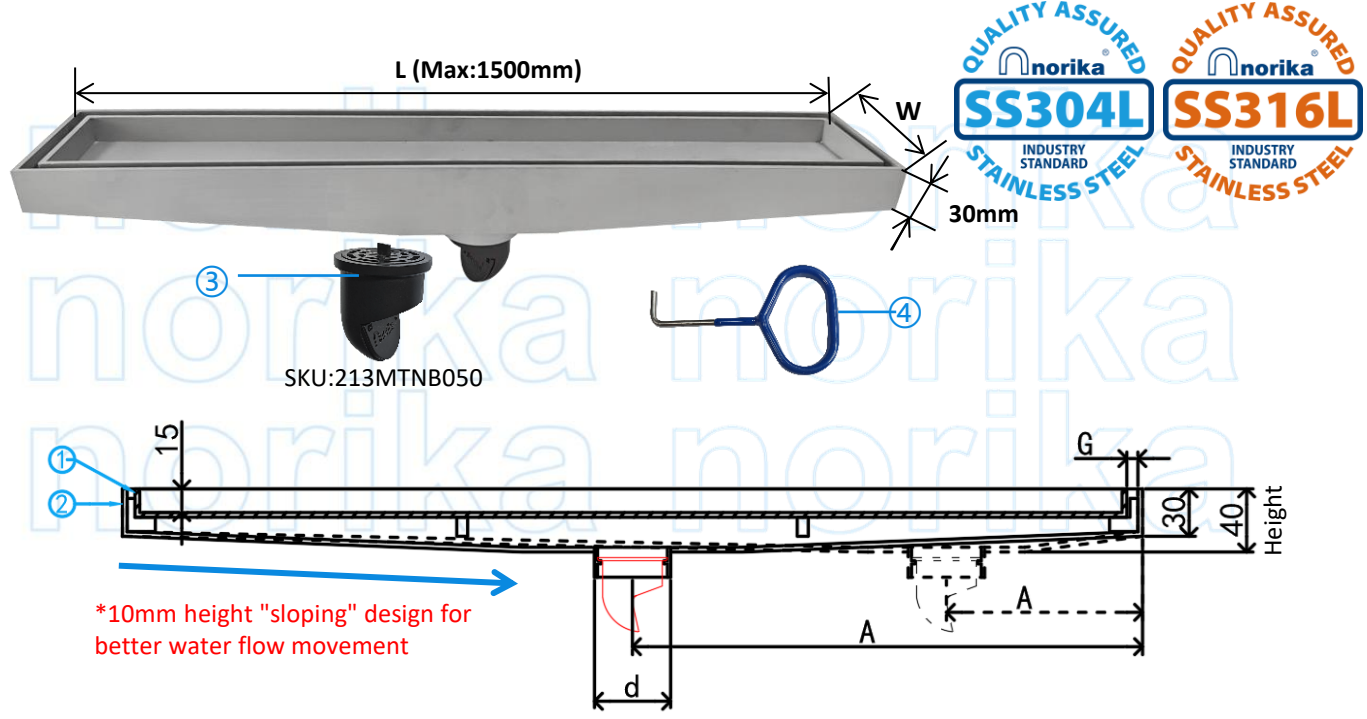


LINEAR SHOWER DRAIN (FOR 12MM THK TILING)



CROSS SECTIONAL VIEW

Made from 3mm thick materials with a reinforced main body, providing exceptional sturdiness and durability.



INSTALLATION EFFECT

COMPONENT PARTS		
ITEM	PARTS	MATERIAL
1	Tray	AISI304 / AISI316L
2	Frame	AISI304 / AISI316L
3	Filter	UPVC (SKU:213MTNB050)
4	Key	AISI304 / AISI316L

CHARACTERISTIC	
Main function	Drainage, sealing
Surface treatment	Hairline
Applications	Sleek and modern linear shower drain, ideal for use in residences, hotels, apartments, office buildings, HDB units, and villas.

DIMENSIONS									
SKU	W (mm)	L (From 300 to 2000 mm)	G (mm)	A (mm)	Height (mm)	Thick (mm)	d (mm)	WEIGHT (Kg)	PCS/CTN
SMARTL-0760450TC	76	450	5	225	40	3	48.5	2.445	1
SMARTL-0760450TS045		450		45				2.445	1
SMARTL-0760600TC		600		300				3.225	1
SMARTL-0760600TS045		600		45				3.225	1

*This item requires special ordering. Please consult with a salesperson for the estimated lead time.
If customization is requested, please provide the dimensions for W, L, A, and d.